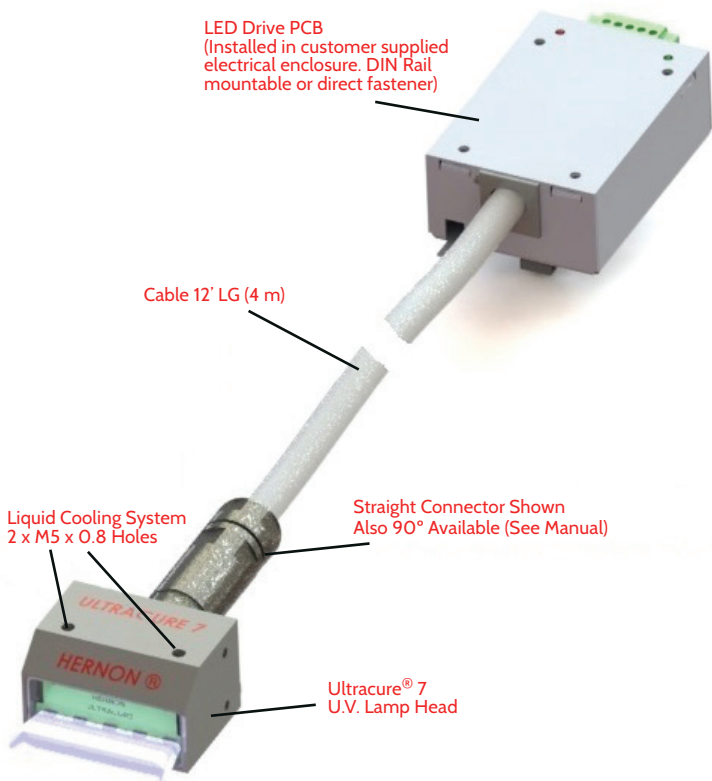




### Ultracure<sup>®</sup> 7 Data Sheet

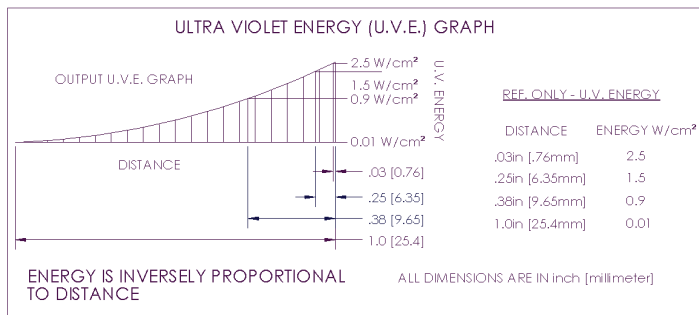
## ULTRACURE<sup>®</sup> 7

### LED UV Curing System



### UV Curve / UV Output Curve

The Ultracure<sup>®</sup> 7 has an optimal distance for proper curing properties; the diagram below shows the UV Intensity vs Distance Curve.

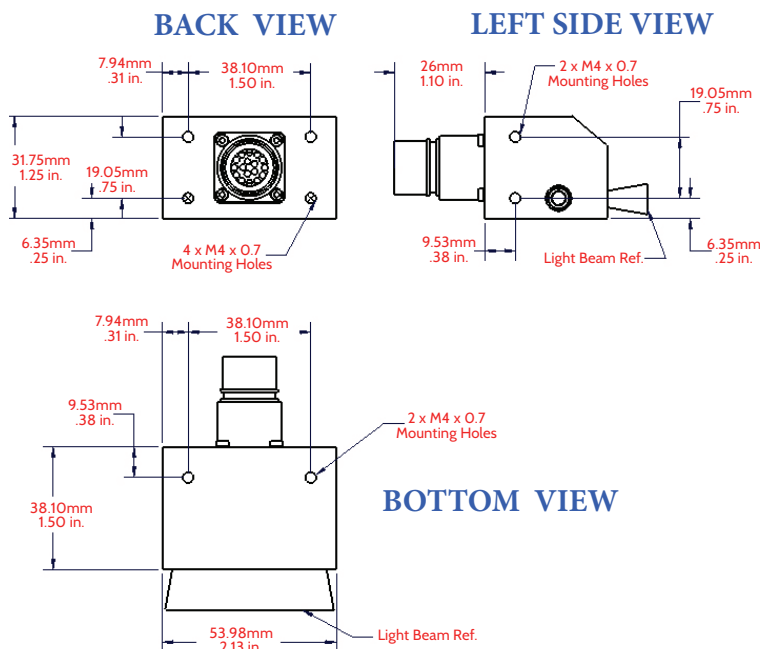


### Mounting

The Ultracure<sup>®</sup> 7 has three mounting options. 4 x M4 x 0.7 on electrical connector end, 2 x M4 x 0.7 on both sides of the device.

### Mounting Diagram

(Straight connector shown, for more information see manual)



### Features/Specifications

- Ultra Violet Energy (UVA) Cure
- 365nm High Output LED
- 24 vdc input power state @ 700 mA
- 2.5/W cm<sup>2</sup> maximum output @ 365nm
- Built in power regulation and over temperature protection

### Status Indicator

Two status indicator LED's are located on the top of the module.

- Green lamp power on and working properly
- Red lamp indicates Fault Conditions

### Thermal

- Liquid cooled